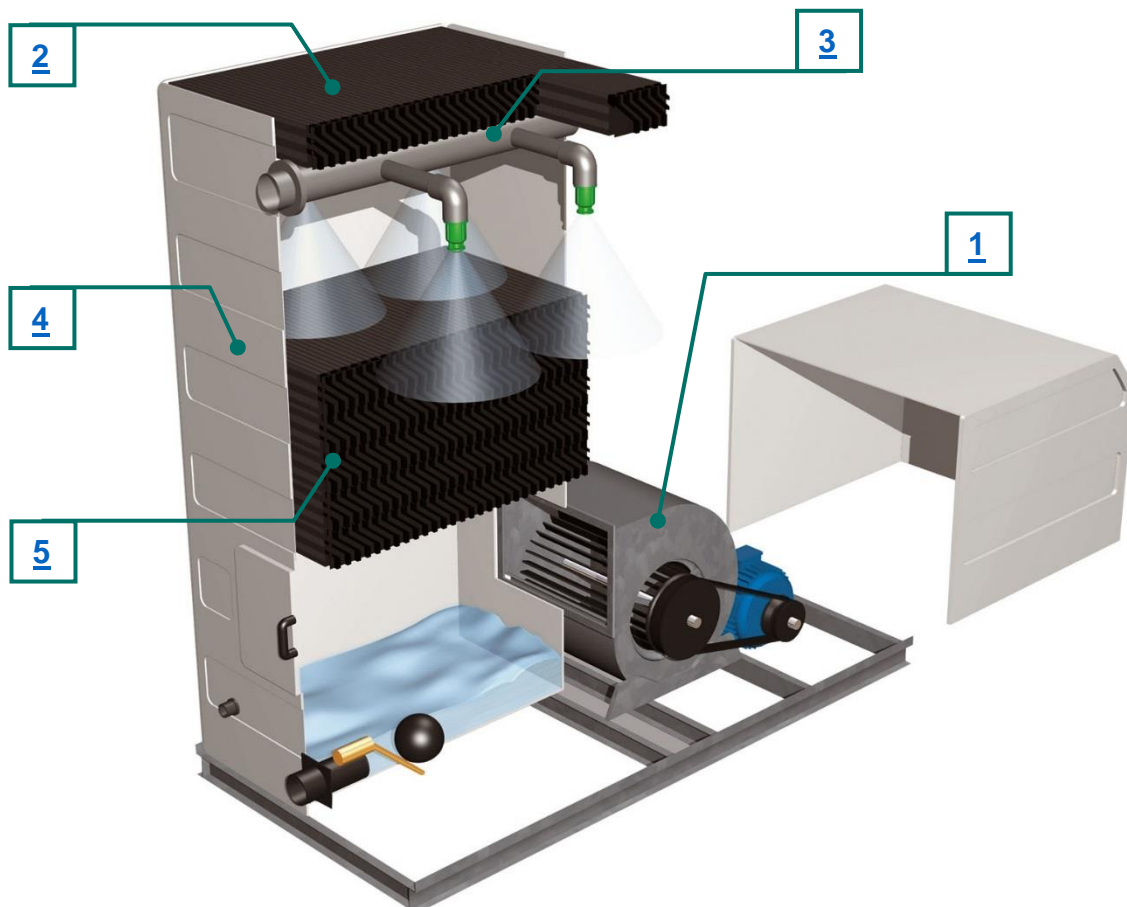




**NON-CORRODING
AND LONG LASTING**



LIMITED NOISE



Forced Draft Centrifugal Fan Counterflow Cooling Tower

Factory Assembled - Modular Compact Design

1	Centrifugal fan with belt driven transmission system for low noise levels
2	EUROVENT Certified High Efficiency DRIFT ELIMINATORS made of polypropylene (PP) sheets
3	Water distribution system with non-clogging axial polypropylene (PP) nozzles for a full cone water distribution. Flanged water inlet connection
4	Shell entirely made of fibreglass reinforced polyester (FRP)
5	FILL PACK: cross-fluted PVC or PP sheets;

1. MOTOR FAN GROUP

CENTRIFUGAL VENTILATION SYSTEM with belt driven fan:

High efficiency directly coupled axial fan motor(s) assembly designed to efficiently convey discharge air.

- **Centrifugal fan**, in galvanized steel
- Electrical motor **IP56** sealed execution motor, B3 mounting, isolation class F, multi-voltage and multi-frequency.
- **Belt transmission**, with trapezoidal bullwheel and belt (MCT 25 and MCT 45 excluded but with direct coupling)



2. DRIFT ELIMINATORS

EUROVENT Certified High Efficiency DRIFT ELIMINATORS

consisting of sheets in polypropylene (PP), thermoformed under vacuum and welded together to form panels of such shape and size as to guarantee maximum efficiency of droplet separation from the airflow produced by the fan, reducing substantially the drift water.

3. WATER DISTRIBUTION SYSTEM

WATER DISTRIBUTION SYSTEM made of UNI-EN-PN 10 pipes and connectors in PVC or PP, full cone (non-clogging) polypropylene spray nozzles for even water distribution.

The water distribution system is supplied complete with manometer for regulation of input water pressure and a bleed-off valve.

Flanged water inlet connection(s).



4. STRUCTURE AND CASING

SHELL

made entirely of fibreglass reinforced polyester resin, structurally self-supporting and of exclusive MITA design, with gel coat external finish as UV-protection.

Flanged water outlet connection(s).

SUPPORTS

for the fill pack and drit eliminators in hot-dip galvanised steel after fabrication.

NUTS AND BOLTS

in stainless steel AISI 304

Optional: metallic parts in stainless steel 304 or 316



5. FILL PACK

FILL PACK (or heat exchange surface) consisting of efficiency cross-fluted PVC or PP sheets, thermoformed under vacuum welded together into lightweight blocks.

CW fill pack type is suitable for clean water and is resistant to rot, decay and biological attack.



Supply of the tower is limited to the parts listed above. Building and electrical works, pumps, collectors external to the tower, valves, hoisting gear and any scaffolding and labour are therefore excluded. Accessories and/or constructional variants are available on request. MITA Cooling Technologies S.r.l. may carry out constructional improvements without notice. Images for illustration purposes only.